

Robotic Energy
SUPPLY SYSTEMS—FANUC

Welcome to Becker Robotic, where innovation meets reliability!

With over 30 years of experience, headquartered in Germany and supported by a strong global presence, we provide advanced technology solutions for modern industrial applications. Our portfolio includes energy supply systems, robotic equipment, engineering services, motion and stationary cables, and high-quality industrial equipment.

Through our worldwide network, we deliver reliable, high-quality solutions to industrial customers across the globe. From product development and engineering design to manufacturing, project support, installation, and system optimization, we offer end-to-end services that enhance performance and maximize uptime in automated production environments.

Partner with us to drive innovation and shape the future of automation.

Robotic Energy Supply Systems (Empty)

Maximum Flexibility. Universal Compatibility. Proven Reliability.

Introducing Becker's Robotic Energy Supply Systems (Empty) – The Dress Pack system that provides complete freedom for your specific requirements. Each Robotic Energy Supply Systems (Empty) is a pre-engineered, ready-to-install solution.

What's Included?

Every System comes fully equipped with all essential components:

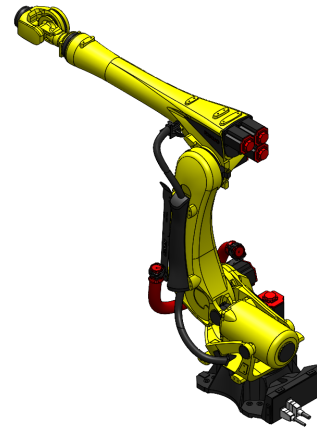
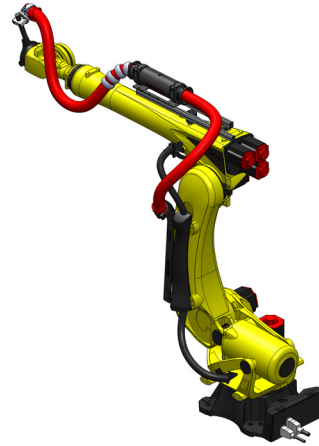
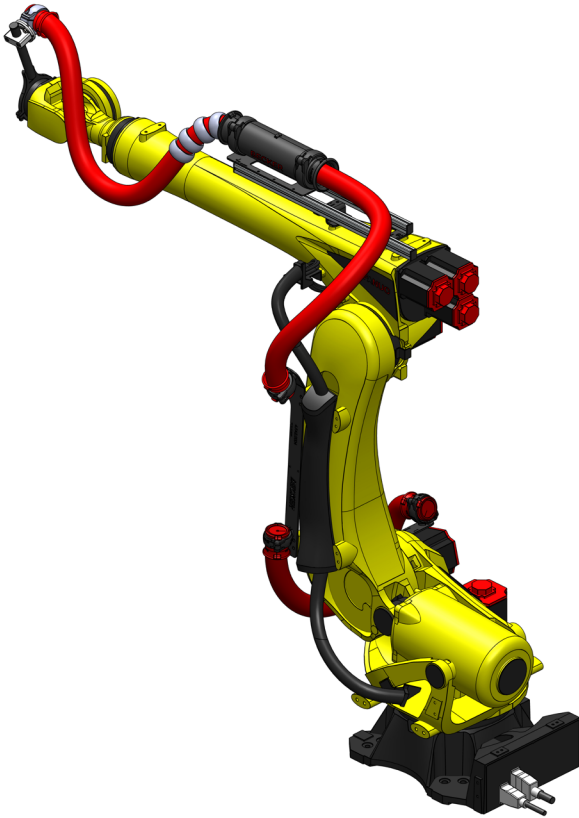
- Corrugated tube in your required diameter
- Becker's high-quality supports and mounting brackets
- Our advanced retraction unit, RoboRoc
- Protection doughnuts for extended service life

Our solid-material strain reliefs (clamping rings) are fully adjustable to fit your exact cable and hose diameters, providing secure and long-lasting protection.

Benefits:

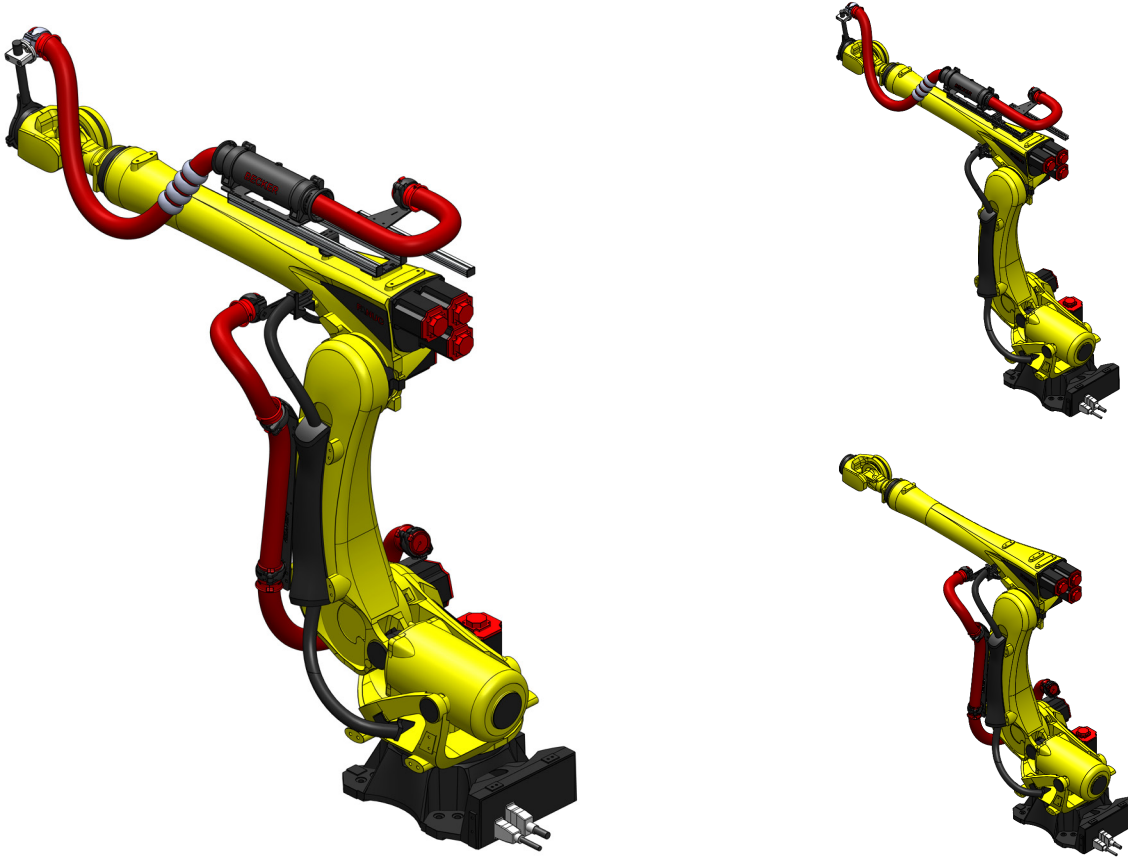
- Fast installation: Pre-designed and immediately available
- Highly adaptable: Use with Becker cables or integrate your own components
- Universal fit: Compatible with leading robot manufacturers
- Robust performance: Designed for demanding industrial environments
- Maximum flexibility: Tailor the configuration to your exact application

Becker's Robotic Energy Supply Systems (Empty) delivers German-engineered quality, outstanding durability, and unmatched adaptability—keeping your production running smoothly and efficiently.



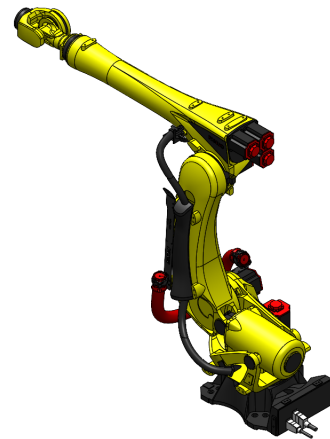
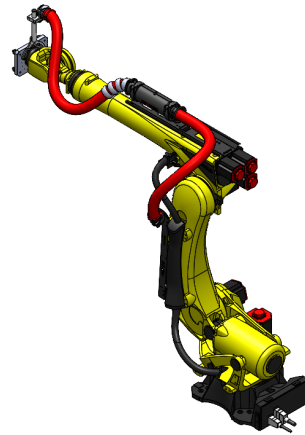
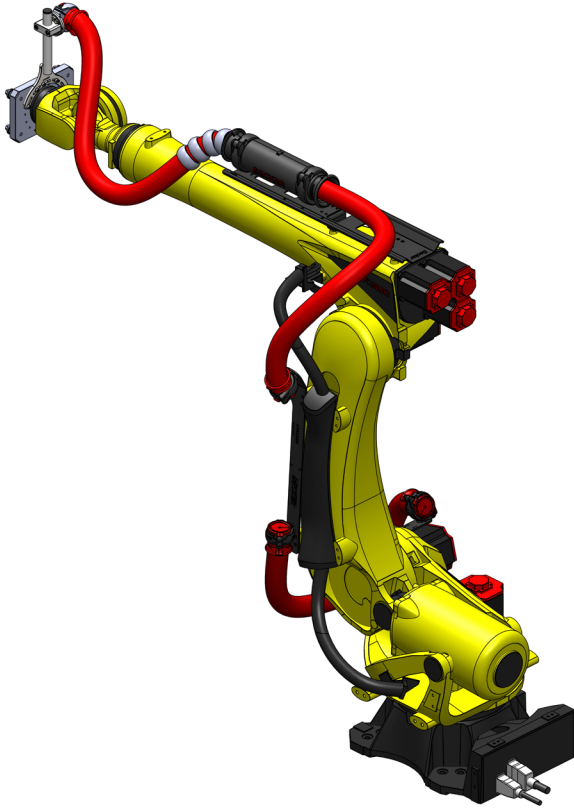
Item Number Key

		Diameter		AL-Profile on Axis 3	
K.EP.	F	34X	.48 / 70/52	.16	-1001 -A
Robot Type		↑		↑	Axis Area
<ul style="list-style-type: none"> • R-2000E/180F/225F • R-2000E/300F • R-2000E/125F • R-2000E/210F 		340 341 342 343		.1S = Axis 1 to Link Arm .S6 = Link arm to Axis 6 .16 = Axis 1 to Axis 6	



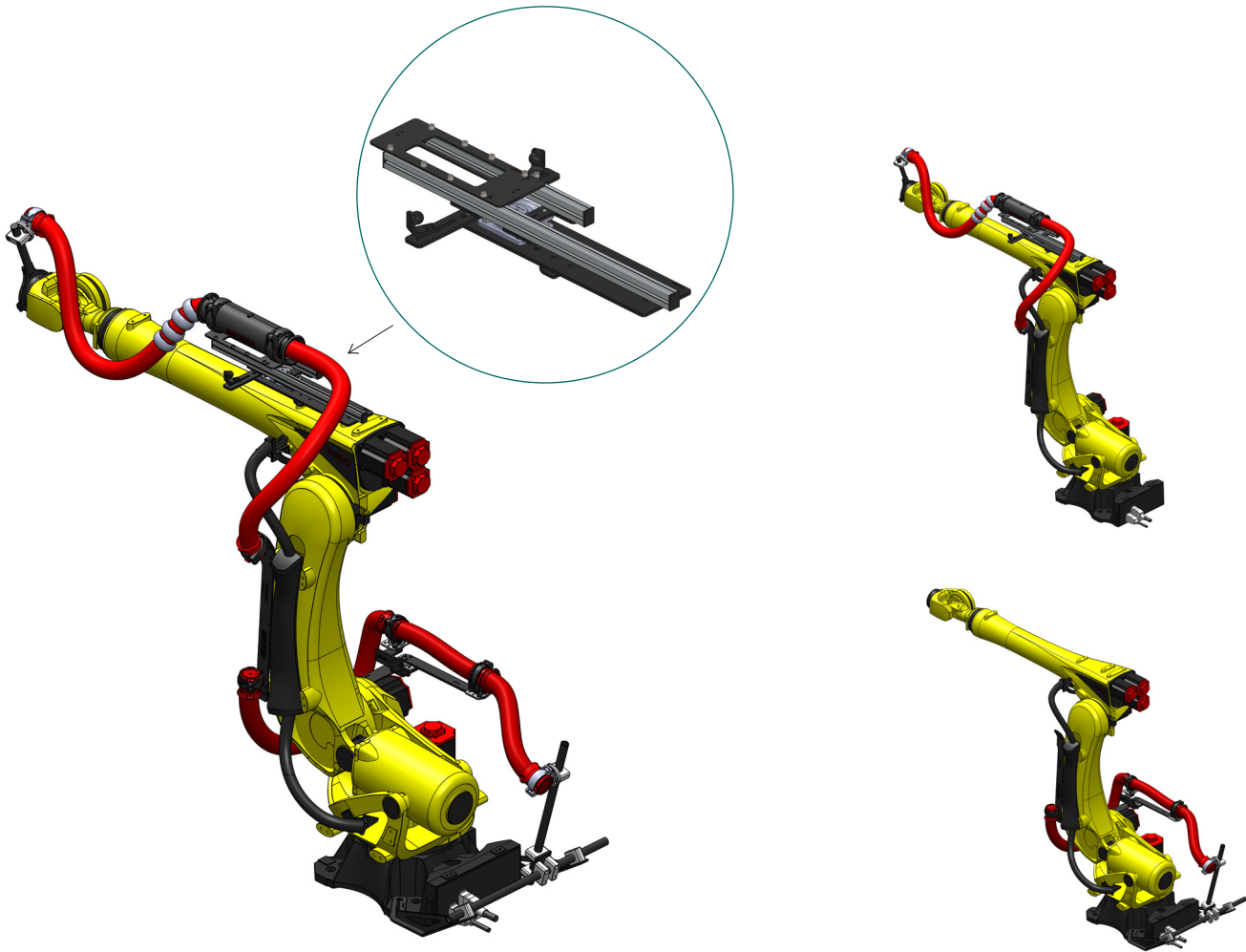
Item Number Key

		Diameter		AL-Profile on Axis 3	
K.EP.	F	34X	.48 / 70/52	.16	-1001 -B
Robot Type		↑		↑	Axis Area
• R-2000E/180F/225F		340			.13 = Axis 1 to Axis 3
• R-2000E/300F		341			.36 = Axis 3 to Axis 6
• R-2000E/125F		342			.16 = Axis 1 to Axis 6
• R-2000E/210FF		343			



Item Number Key

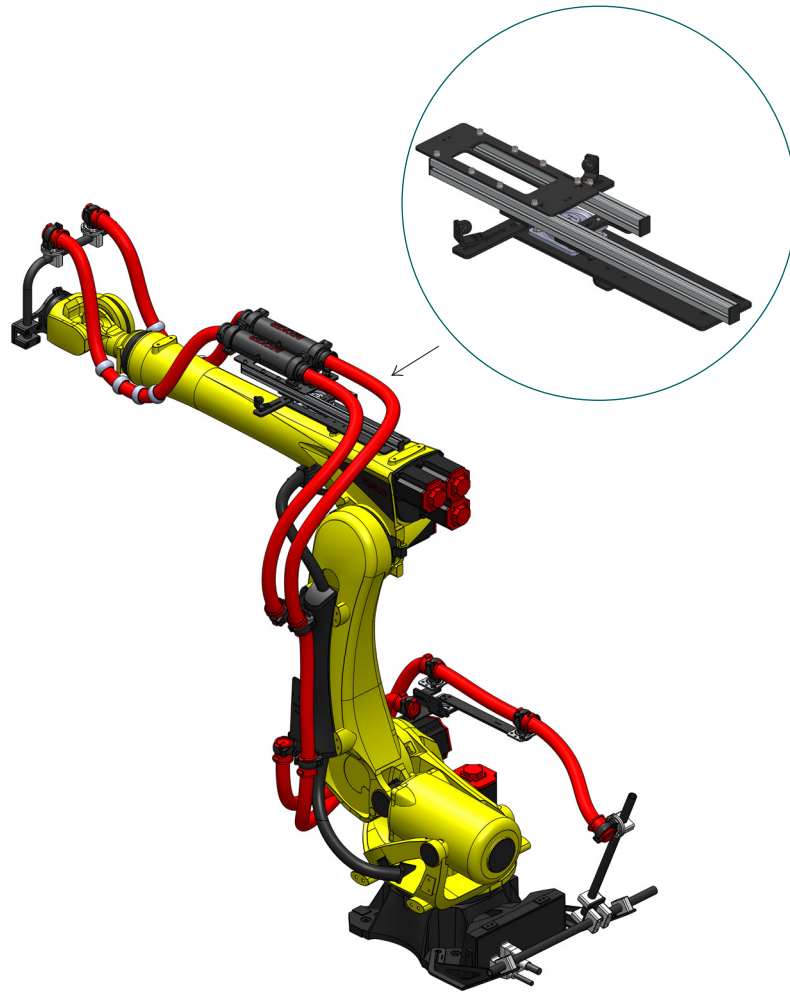
		Diameter		AL-Profile on Axis 3	
			↓		↓
K.EP.	F	34X	.48 / 70/52	.16	-0001
		↑		↑	
Robot Type				Axis Area	
<ul style="list-style-type: none"> • R-2000E/180F/225F • R-2000E/300F • R-2000E/125F • R-2000E/210F 		340 341 342 343		.1S = Axis 1 to axis 3 .S6 = Axis 3 to axis 6 .16 = Axis 1 to axis 6	



- The maximum allowable rotation at Axis 01 is 270° (±135°)
- The swivel bearing on Axis 03 of the RoboRoc mounting provides additional rotation for the RoboRoc

Item Number Key

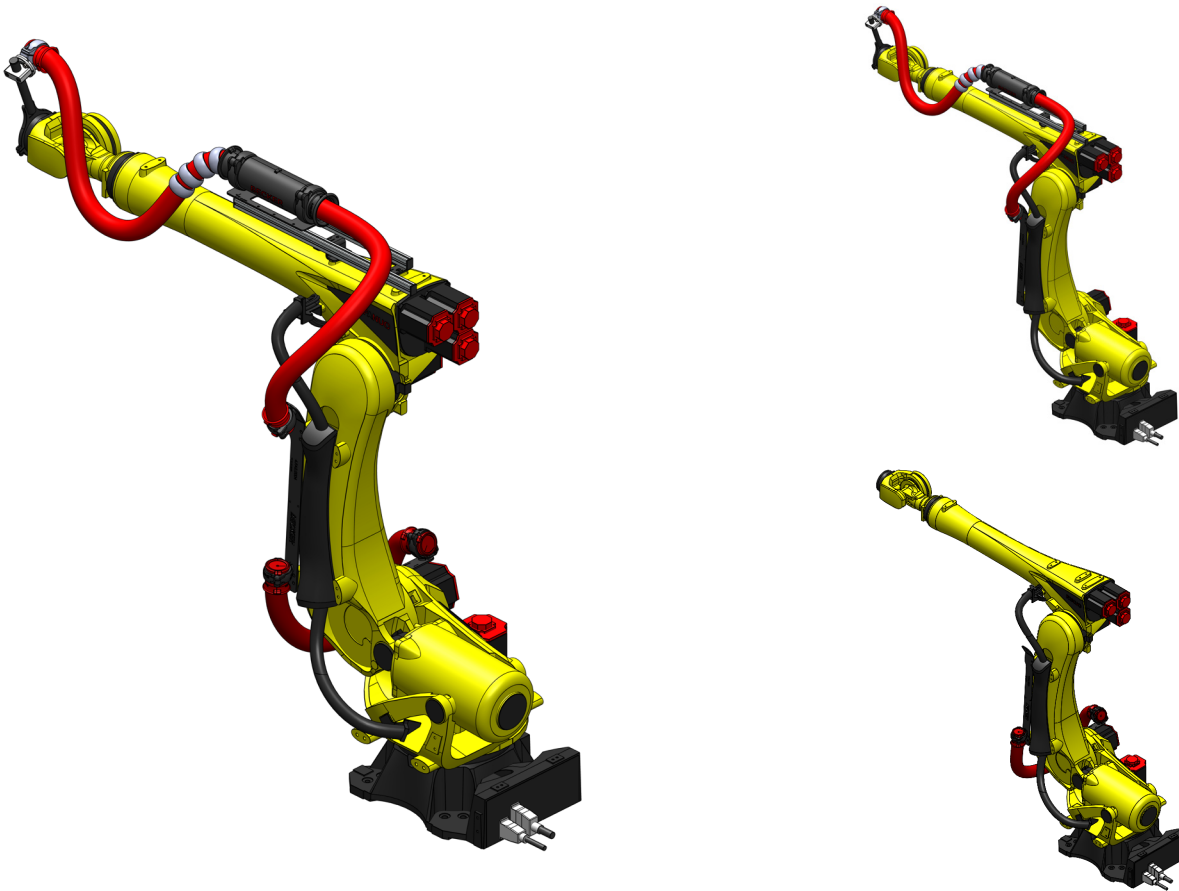
		Diameter		AL-Profile on Axis 3	
K.EP.	F	34X	.48 / 70/52	.E6	-1001-C
Robot Type		↑		↑	Axis Area
• R-2000E/180F/225F		340			.E6 = External to axis 6
• R-2000E/300F		341			
• R-2000E/125F		342			
• R-2000E/210F		343			



- The maximum allowable rotation at Axis 01 is 270° (±135°)
- The swivel bearing on Axis 03 of the RoboRoc mounting provides additional rotation for the RoboRoc

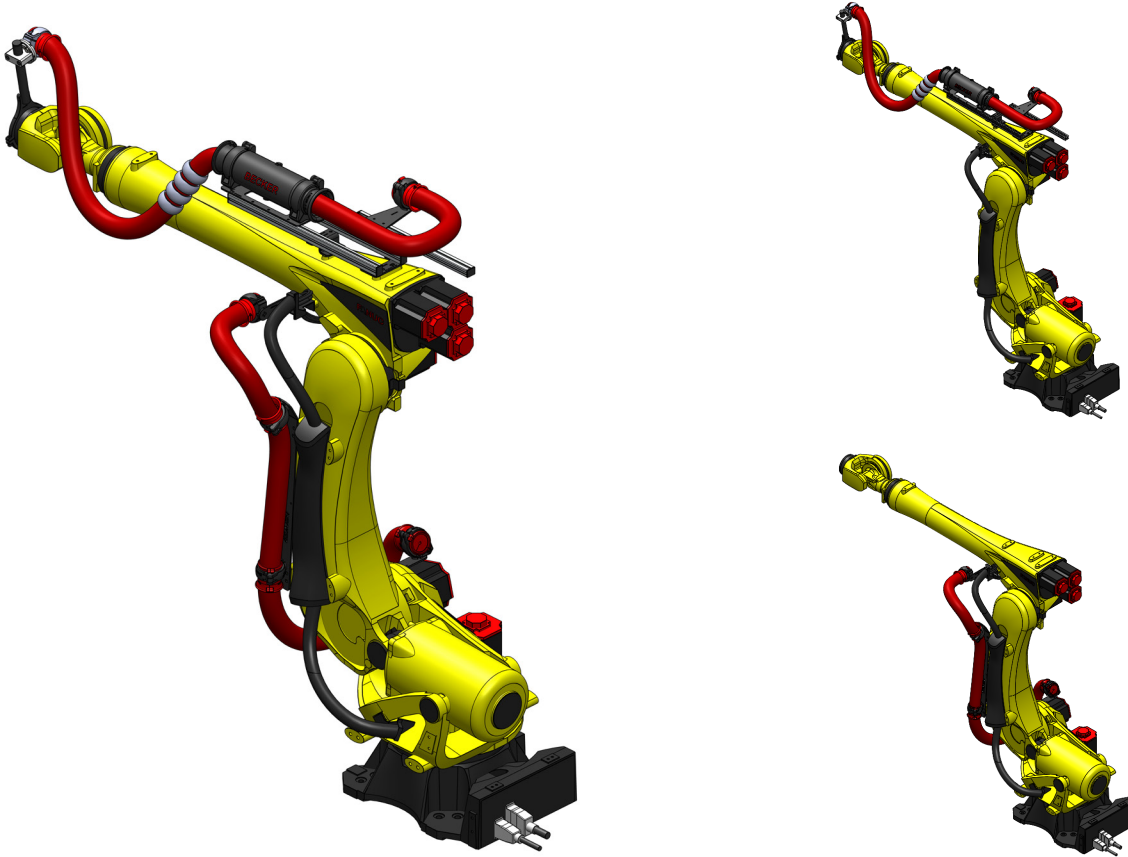
Item Number Key

		Diameter		AL-Profile on Axis 3	
K.EP.	F	34X	.48 / 70/52	.E6	-1001-D
Robot Type		↑		↑	
• R-2000E/180F/225F		340		.E6 = External to axis 6	
• R-2000E/300F		341			
• R-2000E/125F		342			
• R-2000E/210F		343			



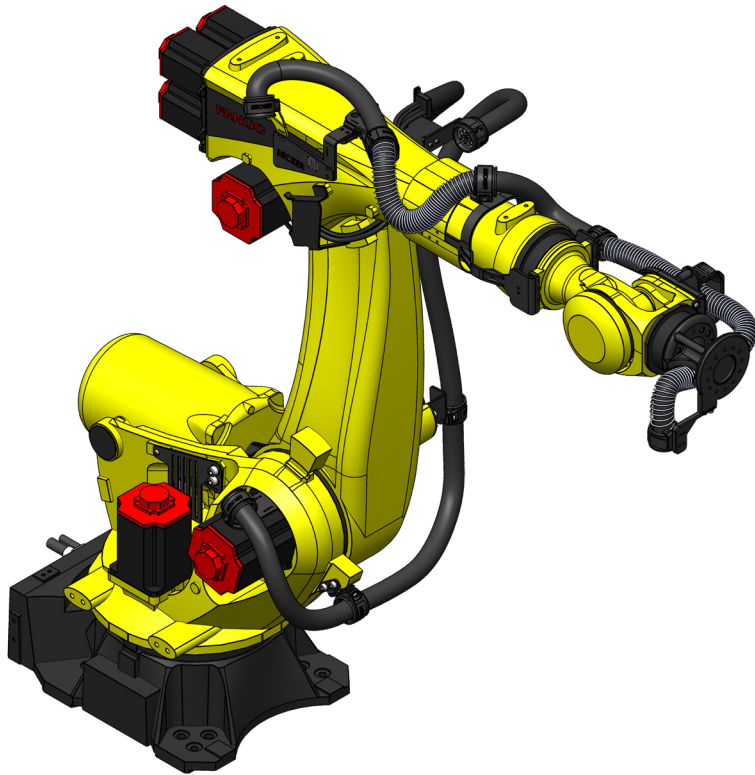
Item Number Key

		Diameter		AL-Profile on Axis 3	
K.EP.	F	34X	.48 / 70/52	.16	-1001 -A
Robot Type		↑		↑	
<ul style="list-style-type: none"> • R-2000E/120R • R-2000E/210R • R-2000E/270R 		344 345 346		.1S = Axis 1 to Link Arm .S6 = Link arm to Axis 6 .16 = Axis 1 to Axis 6	



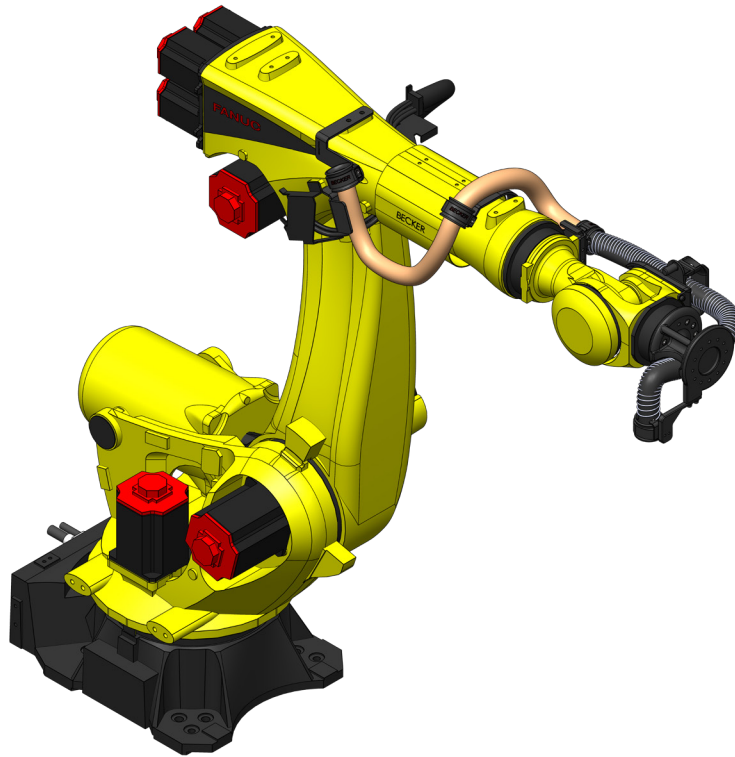
Item Number Key

		Diameter		AL-Profile on Axis 3	
K.E.P.	F	34X	.48 / 70/52	.16	-1001 -B
Robot Type		↑		↑	
<ul style="list-style-type: none"> • R-2000E/120R • R-2000E/210R • R-2000E/270R 		344 345 346		Axis Area	
				.13 = Axis 1 to Axis 3	
				.36 = Axis 3 to Axis 6	
				.16 = Axis 1 to Axis 6	



Item Number Key

					Diameter					
					↓					
K.E.P.	F	34X	.52	.16						
			↑			↑				
Robot Type					Axis Area					
• R-2000E/180F/225F		340				.13 = Axis 1 to Axis 3				
• R-2000E/300F		341								
• R-2000E/125F		342				.36 = Axis 3 to Axis 6				
• R-2000E/210F		343								
• R-2000E/120R		344								
• R-2000E/210R		345				.16 = Axis 1 to Axis 6				
• R-2000E/270R		346								



Item Number Key

					Diameter					
					↓					
K.EP.	F	34X	.52	.36						
			↑			↑				
Robot Type						Axis Area				
• R-2000E/180F/225F		340				Alu-Frame on Axis 3				
• R-2000E/300F		341								
• R-2000E/125F		342								
• R-2000E/210F		343								
• R-2000E/120R		344								
• R-2000E/210R		345								
• R-2000E/270R		346								



Becker Robotic – Global Reach, Local Expertise

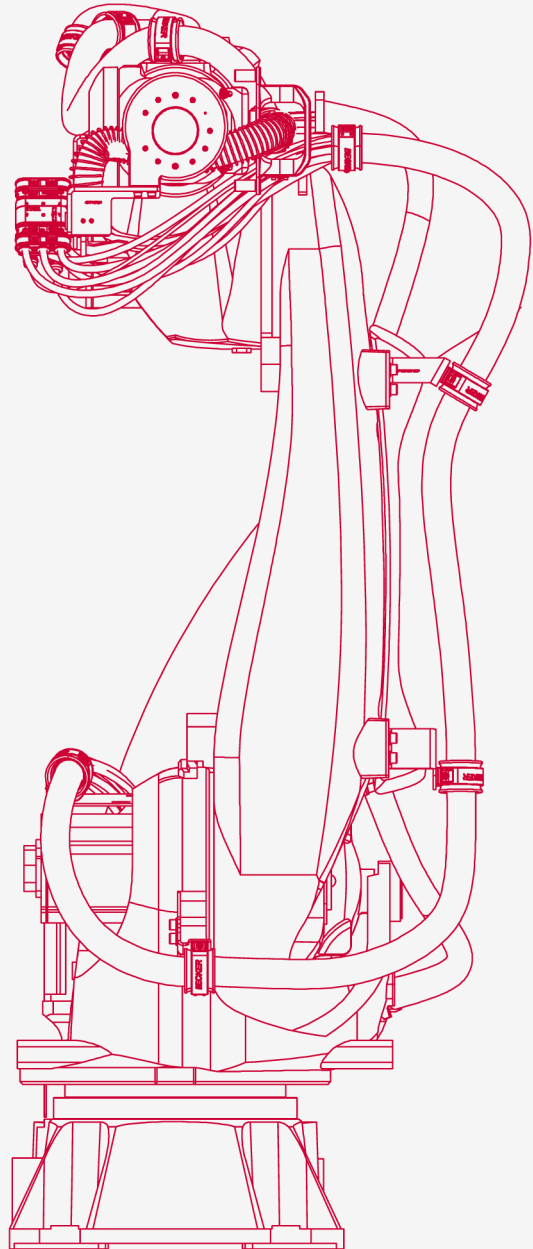
With a commitment to innovation and customer satisfaction, Becker continues to expand its global footprint while maintaining a personalized approach to client engagement. Our team is dedicated to delivering solutions that not only meet but exceed industry standards, driving success for our partners worldwide.



becker-robotic.com



info@becker-robotic.com



Stay Connected with Becker Robotic!

Follow us on social media & reach out to any of our global offices for more information.